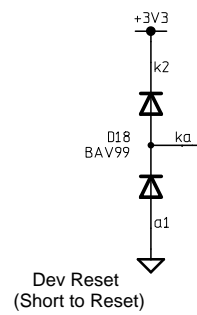
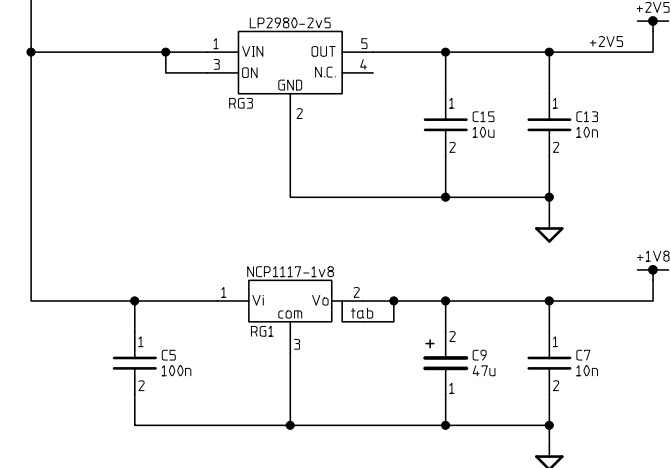
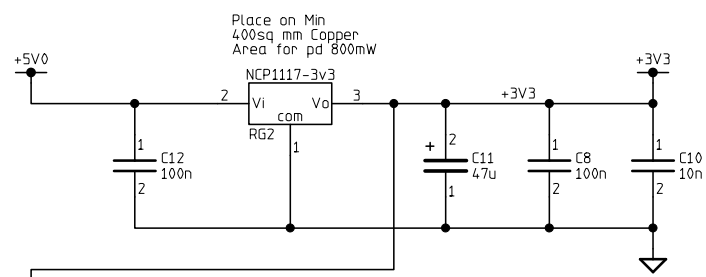
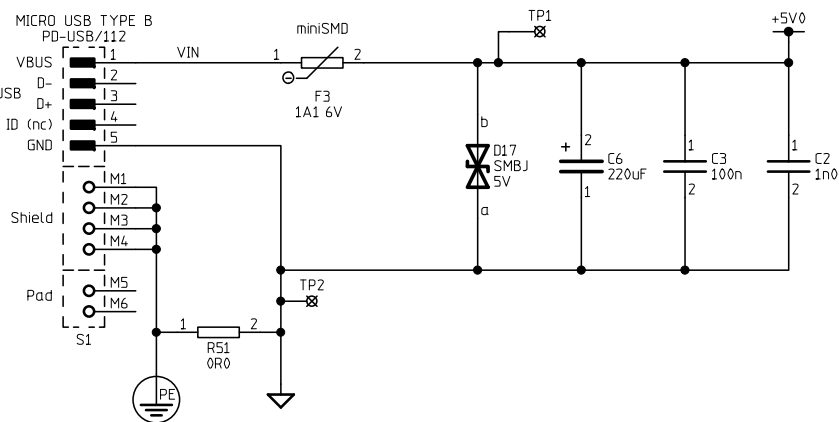
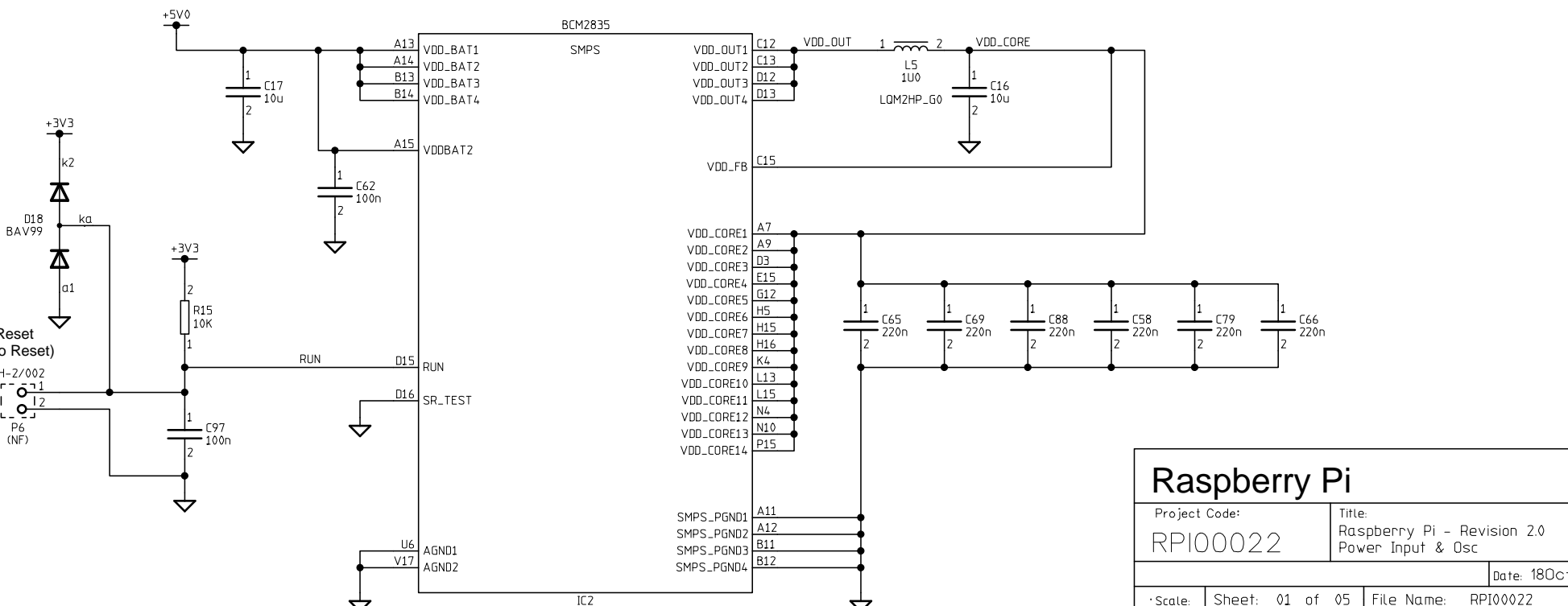
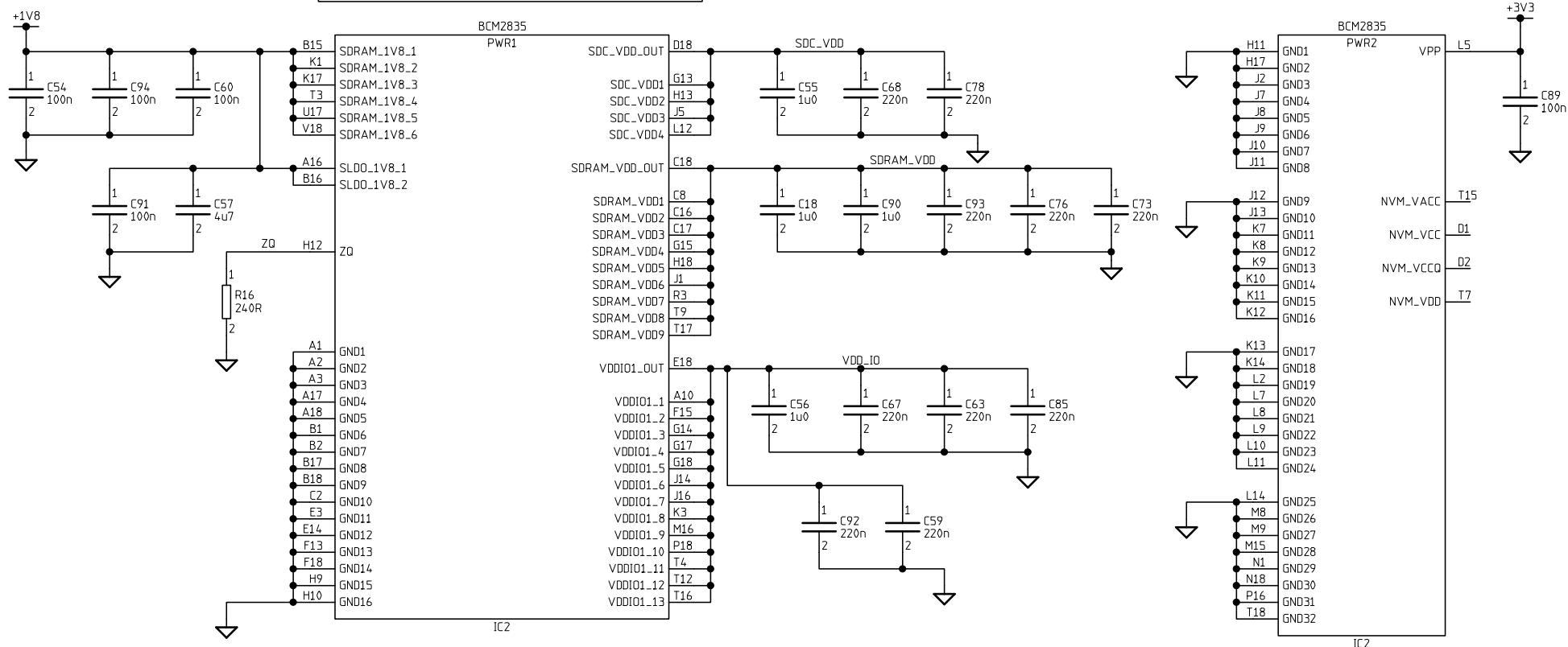


USB Power Input 5V 700mA min

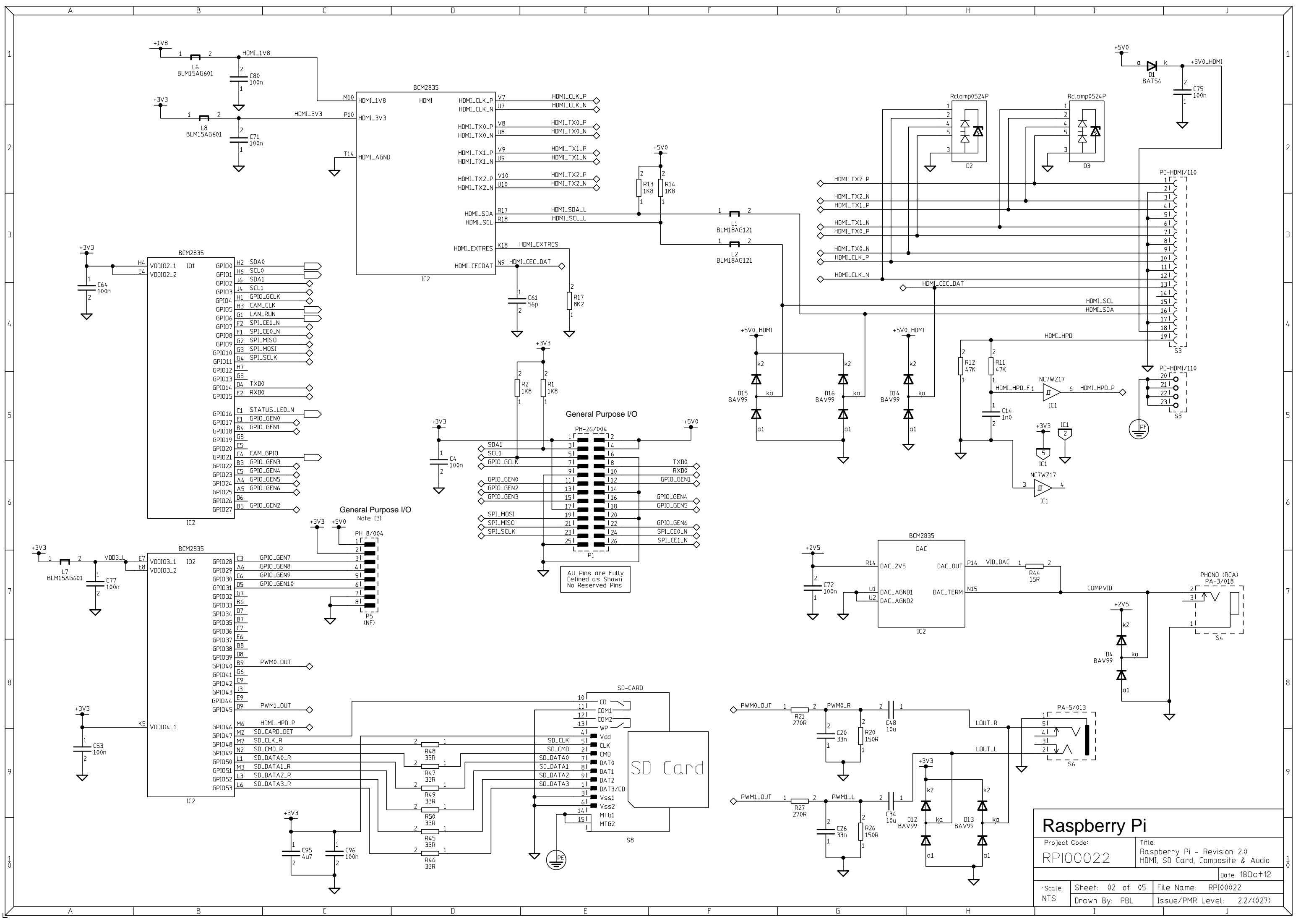


Dev Reset (Short to Reset)

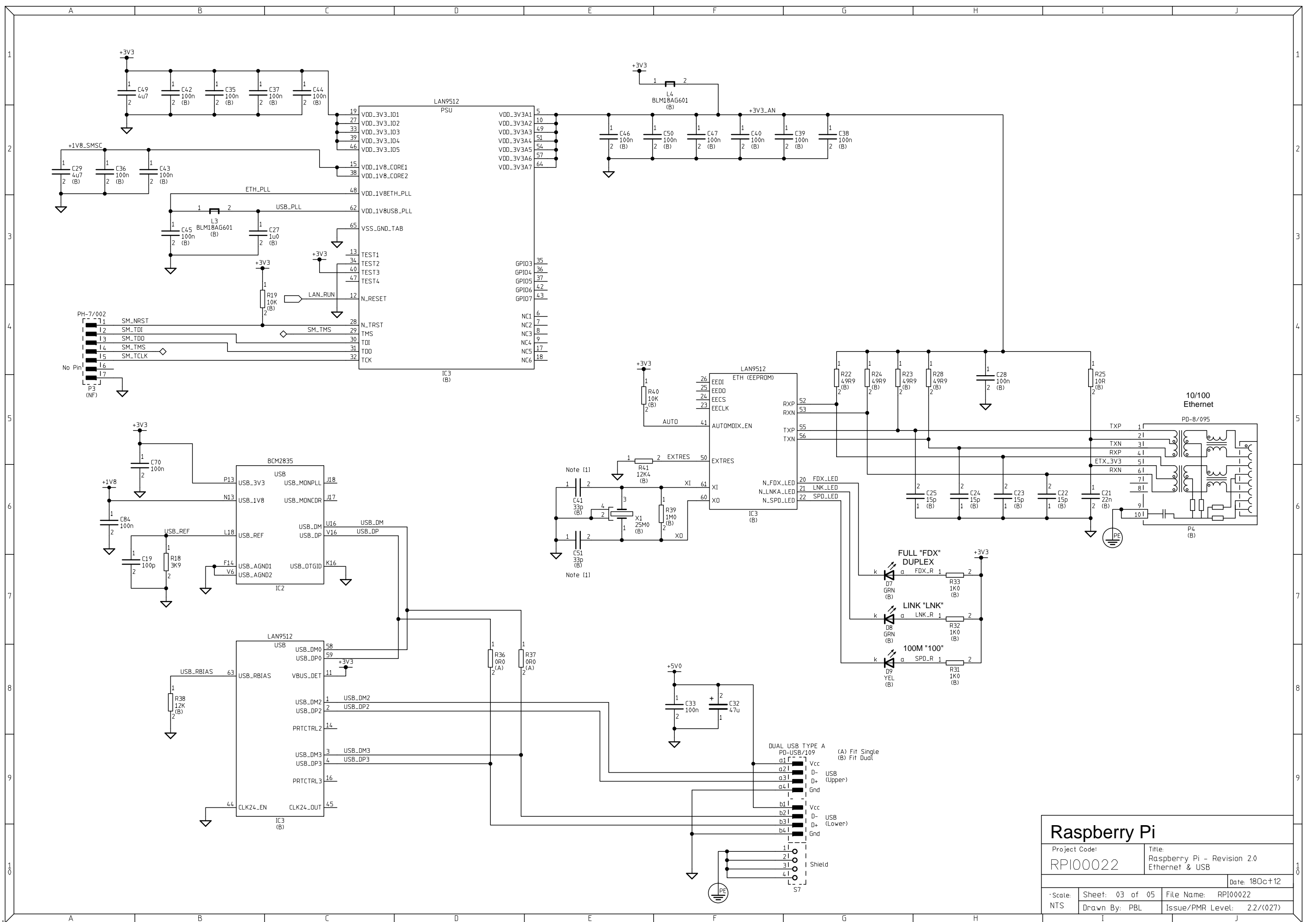
MEMORY: IC2A fitted as POP to IC2 - Note [2]  
 256Mbyte = K4P 2 G324ED  
 512Mbyte = K4P 4 G324EB



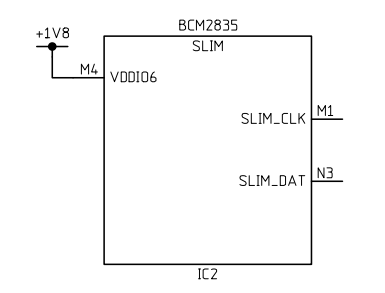
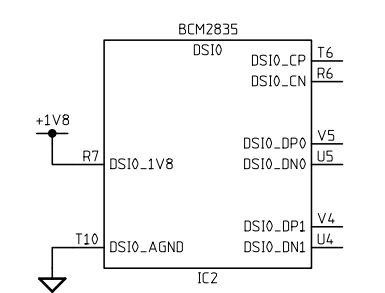
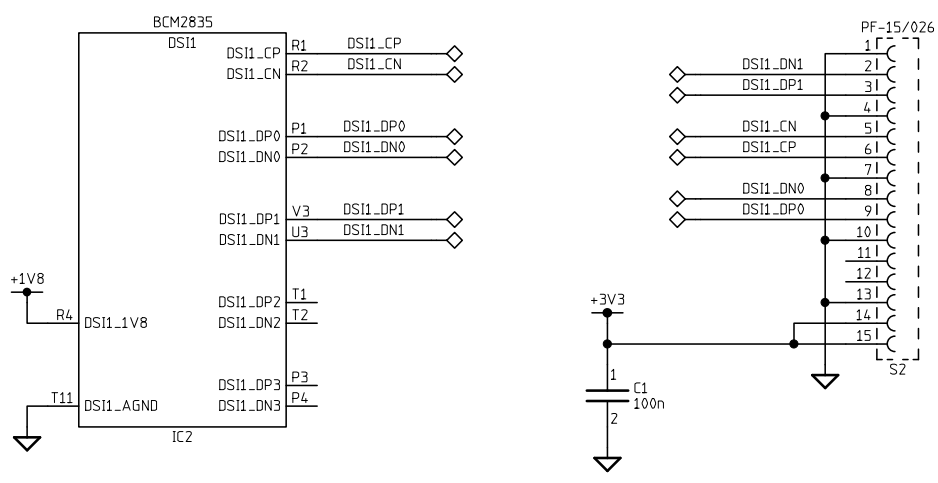
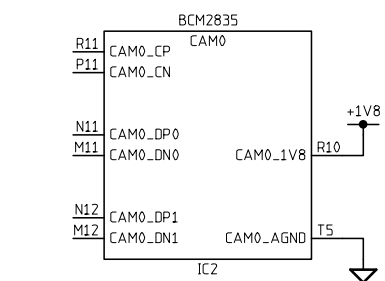
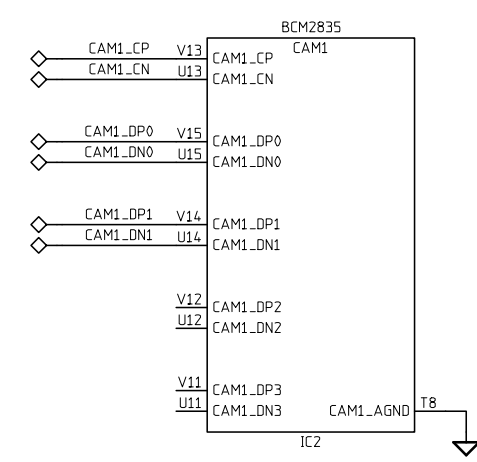
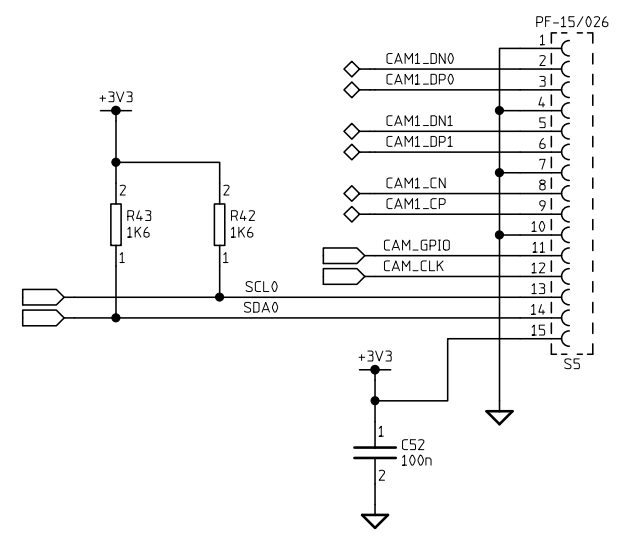
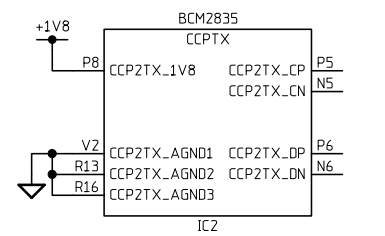
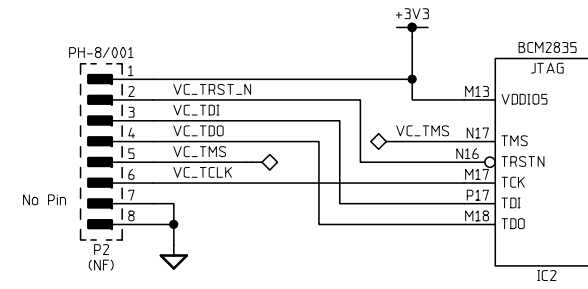
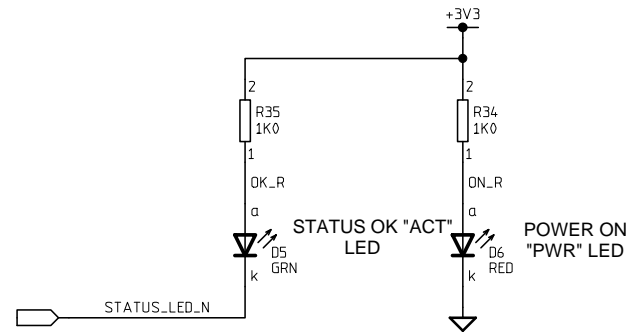
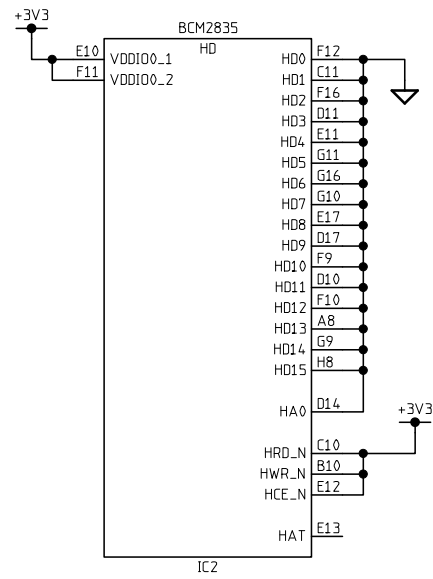
<b>Raspberry Pi</b>	
Project Code: <b>RPi00022</b>	Title: Raspberry Pi - Revision 2.0 Power Input & Osc
Date: 18Oct12	
Scale: NTS	Sheet: 01 of 05 File Name: RPi00022 Issue/PMR Level: 2.2/(027)



<b>Raspberry Pi</b>	
Project Code: RPI00022	Title: Raspberry Pi - Revision 2.0 HDMI, SD Card, Composite & Audio
Date: 18Oct12	
Scale: NTS	Sheet: 02 of 05 File Name: RPI00022 Issue/PMR Level: 2.2/(027)



<b>Raspberry Pi</b>	
Project Code: RPI00022	Title: Raspberry Pi - Revision 2.0 Ethernet & USB
Date: 18Oct12	
Scale: NTS	Sheet: 03 of 05
File Name: RPI00022	Issue/PMR Level: 2.2/(027)



<b>Raspberry Pi</b>	
Project Code: RPI00022	Title: Raspberry Pi - Revision 2.0 User 1/0
Date: 180c+12	
Scale: NTS	Sheet: 04 of 05 Drawn By: PBL
File Name: RPI00022 Issue/PMR Level: 2.2/(027)	

### PCB Build Variations

Each Build variant is assigned a letter A-Z. Components affected by a variant have that letter, in parentheses, associated with it on the schematic pages.

Build Variant	Build Description

Notes: A PCB assembly option ("Build Option") is formed by summing the required variants of circuit sections. Eg. A+D+G.

### PCB Assembly Options

List of Assembly options (valid combinations of Build variants, for reference only).

Build variants	Build Description
A	Components only fitted to Model A (Basic)
B	Components only fitted to Model B (Full System)

### PCB Parts List Entry

- Project Code	- Issue
BD-RPI-00022/001	

### PCB Layout Requirements

Layout notes referring to specific components or groups of components are indicated on the schematics by the note number, enclosed in braces, adjacent to the component. Eg {4}.

Note No.	Description

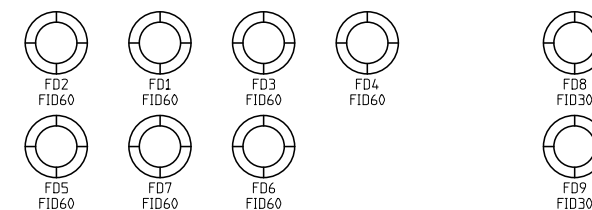
### General Notes

These are general notes relating to the build of the product.

(Number)	Details
{1}	Capacitor values tied to crystal specification. Refer to production site specific instructions and BOM for additional information.
{2}	Use flux gel or solder paste for PoP attachment process.
{3}	Connector designed to be mounted underside, DO NOT FILL holes in process.

Design (c) 2011,2012 Raspberry Pi Foundation  
All Rights Reserved

Portions of this work copyright 1979-2012 Norcott Technologies Limited  
Provided to the Raspberry Pi Foundation under a perpetual,  
royalty free, use and modify licence.



### Raspberry Pi

Project Code: RPI00022	Title: Raspberry Pi - Revision 2.0 Build Options/PCB layout instructions.
Client: n/a	Date: 18Oct12
Scale: NTS	Sheet: 05 of 05 File Name: RPI00022 Issue/PMR Level: 2.2/(027)